

S400MLTAC4M

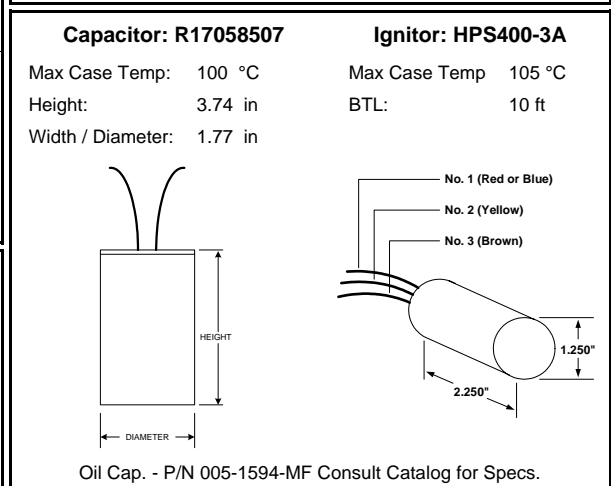
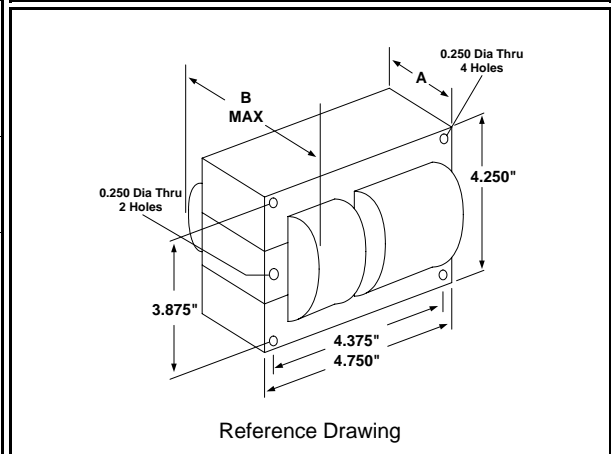
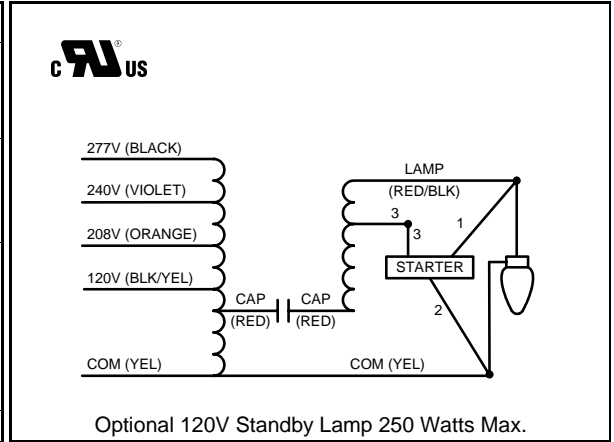
400W S51

High Pressure Sodium

60Hz CWA

Specification Sheet

Input Volts	120	208	240	277
Regulation				
Line Volts	±10%	±10%	±10%	±10%
Lamp Watts	±10%	±10%	±10%	±10%
Power Factor (min)	90%	90%	90%	90%
Input Watts	463 W	463 W	463 W	463 W
NOM. Open Circuit Voltage	190 V	190 V	190 V	190 V
Line Current (Amps)				
Operating	3.80	2.20	1.90	1.70
Open Circuit	1.95	1.10	0.95	0.85
Starting	3.00	1.75	1.50	1.30
Recommended Fuse (Amps)	10	6	5	5
Lamp Dropout Voltage (Line)	90 V	155 V	180 V	210 V
UL Temperature Ratings				
Insulation Class	H (180°C)	H (180°C)	H (180°C)	H (180°C)
Temperature Code	D	D	D	D
MIN. Starting Temperature	-40°F -40°C	-40°F -40°C	-40°F -40°C	-40°F -40°C
CAPACITOR Specifications				
Microfarads	55 uf	55 uf	55 uf	55 uf
Volts (min.)	240 V	240 V	240 V	240 V
60Hz Test Procedures				
High Potential Test 1 Minute	2000 V	2000 V	2000 V	2000 V
High Potential Test 1 Second	2500 V	2500 V	2500 V	2500 V
Secondary Open Ckt Voltage (V)	170 - 210	170 - 210	170 - 210	170 - 210
Secondary Current Shorted (A)	5.90 - 7.30	5.90 - 7.30	5.90 - 7.30	5.90 - 7.30
Input Operating Current (A)	3.40 - 4.20	2.00 - 2.50	1.70 - 2.10	1.45 - 1.95
Input Open Circuit Current (A)	0.95 - 2.80	0.55 - 1.65	0.45 - 1.40	0.40 - 1.25
Input Short Circuit Current (A)	2.00 - 3.40	1.15 - 1.95	1.00 - 1.70	0.85 - 1.50
Core and Coil Specifications				
Dimension A	2.32 in	2.32 in	2.32 in	2.32 in
Dimension B	4.10 in	4.10 in	4.10 in	4.10 in
Weight	14.0 lbs	14.0 lbs	14.0 lbs	14.0 lbs
Lead Lengths (inches)	12-14	12-14	12-14	12-14
Coil Material (Pri. / Sec.):	Cu / Cu	Cu / Cu	Cu / Cu	Cu / Cu



Document #:	010-9653-04
Date:	11/17/2008
Status:	Production
Replaces Catalog #:	1230-93U

Data is based upon tests performed by universaldouglas in a controlled environment and is representative of relative performance. Actual performance may vary depending on operating conditions. Specifications are subject to change without notice.

Universal Lighting Technologies

51 Century Blvd. Suite 230 - Nashville, TN 37214

Phone 1-800-225-5278 Fax 1-800-206-0035

www.unvlt.com