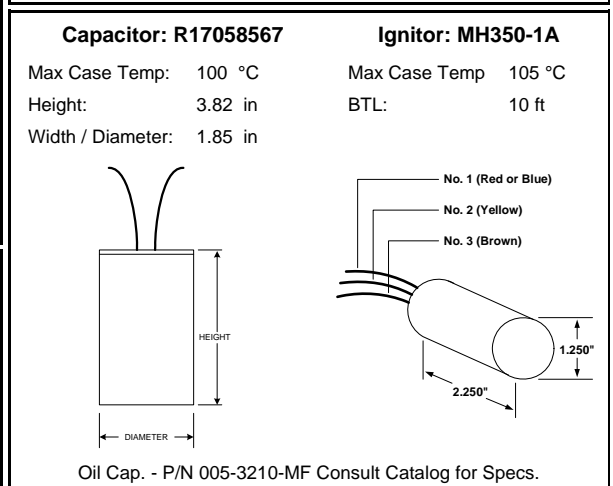
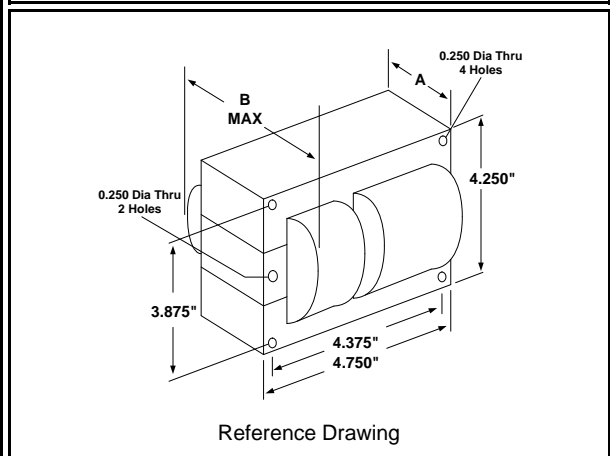
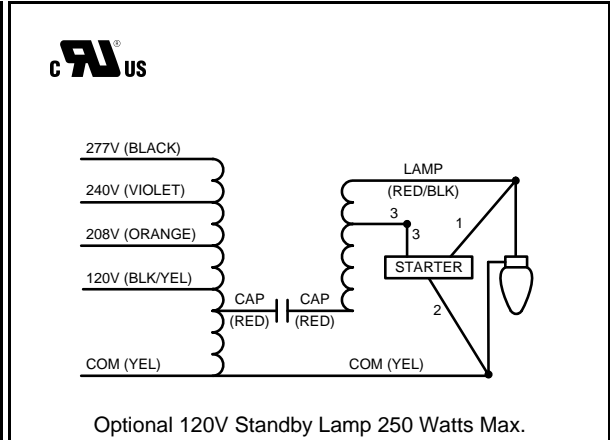


P320MLTAC40

320W M154 / M132
Pulse Start Metal Halide
60Hz CWA

Specification Sheet

Input Volts	120	208	240	277
Regulation				
Line Volts	±10%	±10%	±10%	±10%
Lamp Watts	±10%	±10%	±10%	±10%
Power Factor (min)	90%	90%	90%	90%
Input Watts	364 W	364 W	364 W	364 W
NOM. Open Circuit Voltage	275 V	275 V	275 V	275 V
Line Current (Amps)				
Operating	3.10	1.80	1.55	1.35
Open Circuit	2.15	1.25	1.05	0.95
Starting	2.10	1.20	1.05	0.90
Recommended Fuse (Amps)	9	5	5	4
Lamp Dropout Voltage (Line)	65 V	115 V	130 V	150 V
UL Temperature Ratings				
Insulation Class	H (180°C)	H (180°C)	H (180°C)	H (180°C)
Temperature Code	B	A	B	A
MIN. Starting Temperature	-22°F -30°C	-22°F -30°C	-22°F -30°C	-22°F -30°C
CAPACITOR Specifications				
Microfarads	21 uf	21 uf	21 uf	21 uf
Volts (min.)	360 V	360 V	360 V	360 V
60Hz Test Procedures				
High Potential Test 1 Minute	2000 V	2000 V	2000 V	2000 V
High Potential Test 1 Second	2500 V	2500 V	2500 V	2500 V
Secondary Open Ckt Voltage (V)	245 - 305	245 - 305	245 - 305	245 - 305
Secondary Current Shorted (A)	2.90 - 3.65	2.90 - 3.65	2.90 - 3.65	2.90 - 3.65
Input Operating Current (A)	2.75 - 3.45	1.60 - 2.00	1.40 - 1.75	1.20 - 1.50
Input Open Circuit Current (A)	1.05 - 3.10	0.60 - 1.80	0.50 - 1.55	0.45 - 1.35
Input Short Circuit Current (A)	1.55 - 2.60	0.90 - 1.50	0.75 - 1.30	0.65 - 1.15
Core and Coil Specifications				
Dimension A	2.00 in	2.00 in	2.00 in	2.00 in
Dimension B	3.90 in	3.90 in	3.90 in	3.90 in
Weight	11.0 lbs	11.0 lbs	11.0 lbs	11.0 lbs
Lead Lengths (inches)	12-14	12-14	12-14	12-14
Coil Material (Pri. / Sec.):	Cu / Al	Cu / Al	Cu / Al	Cu / Al



Document #:	010-12112-07
Date:	2/20/2017
Status:	Production
Replaces Catalog #:	New Design

Data is based upon tests performed by universaldouglas in a controlled environment and is representative of relative performance. Actual performance may vary depending on operating conditions. Specifications are subject to change without notice.