

M400MLTAC4M

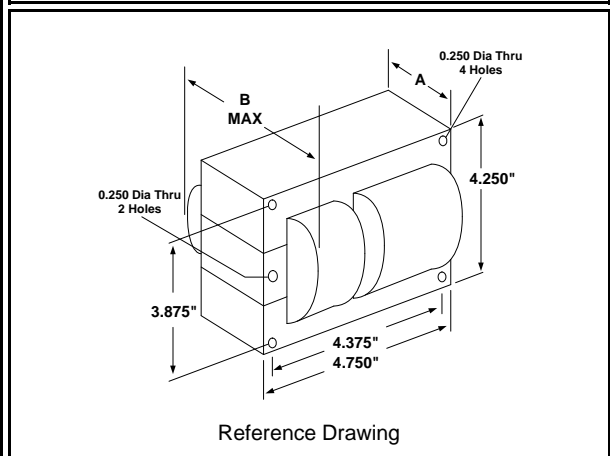
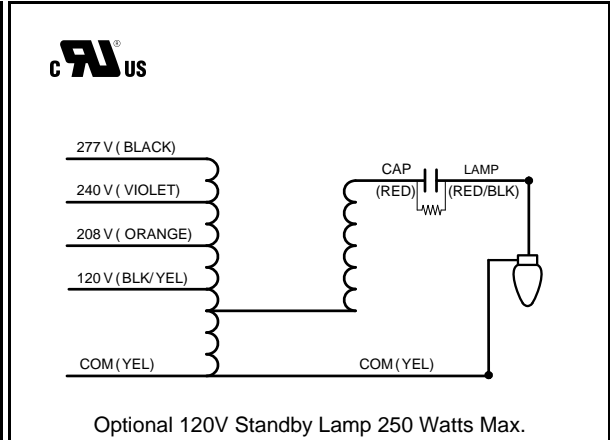
400W M59

Metal Halide

60Hz CWA

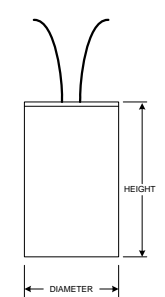
Specification Sheet

Input Volts	120	208	240	277
Regulation				
Line Volts	±10%	±10%	±10%	±10%
Lamp Watts	±10%	±10%	±10%	±10%
Power Factor (min)	90%	90%	90%	90%
Input Watts	458 W	458 W	458 W	458 W
NOM. Open Circuit Voltage	300 V	300 V	300 V	300 V
Line Current (Amps)				
Operating	4.00	2.30	2.00	1.70
Open Circuit	3.00	1.70	1.50	1.30
Starting	3.10	1.80	1.55	1.35
Recommended Fuse (Amps)	10	8	5	5
Lamp Dropout Voltage (Line)	50 V	85 V	100 V	115 V
UL Temperature Ratings				
Insulation Class	H (180°C)	H (180°C)	H (180°C)	H (180°C)
Temperature Code	E	E	E	E
MIN. Starting Temperature	-22°F -30°C	-22°F -30°C	-22°F -30°C	-22°F -30°C
CAPACITOR Specifications				
Microfarads	24 uf	24 uf	24 uf	24 uf
Volts (min.)	360 V	360 V	360 V	360 V
60Hz Test Procedures				
High Potential Test 1 Minute	2000 V	2000 V	2000 V	2000 V
High Potential Test 1 Second	2500 V	2500 V	2500 V	2500 V
Secondary Open Ckt Voltage (V)	270 - 330	270 - 330	270 - 330	270 - 330
Secondary Current Shorted (A)	3.35 - 4.25	3.35 - 4.25	3.35 - 4.25	3.35 - 4.25
Input Operating Current (A)	3.50 - 4.40	2.00 - 2.50	1.75 - 2.15	1.50 - 1.90
Input Open Circuit Current (A)	1.50 - 4.35	0.85 - 2.50	0.70 - 2.20	0.60 - 1.90
Input Short Circuit Current (A)	2.20 - 4.00	1.30 - 2.25	1.10 - 2.00	1.00 - 1.70
Core and Coil Specifications				
Dimension A	2.00 in	2.00 in	2.00 in	2.00 in
Dimension B	3.86 in	3.86 in	3.86 in	3.86 in
Weight	10.0 lbs	10.0 lbs	10.0 lbs	10.0 lbs
Lead Lengths (inches)	12-14	12-14	12-14	12-14
Coil Material (Pri. / Sec.):	Al / Al	Al / Al	Al / Al	Al / Al



Capacitor: R17058571 **Ignitor: None**

Max Case Temp: 100 °C
 Height: 3.82 in
 Width / Diameter: 1.85 in



This Ballast does not require a Ignitor

Oil Cap. - P/N 005-3160-MF Consult Catalog for Specs.

Document #:	010-9879-10
Date:	4/10/2015
Status:	Production
Replaces Catalog #:	1130-93R

Data is based upon tests performed by universaldouglas in a controlled environment and is representative of relative performance. Actual performance may vary depending on operating conditions. Specifications are subject to change without notice.