

M400ML5AC4M

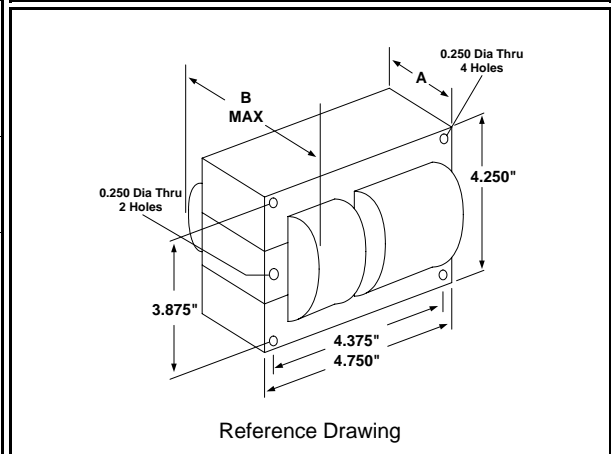
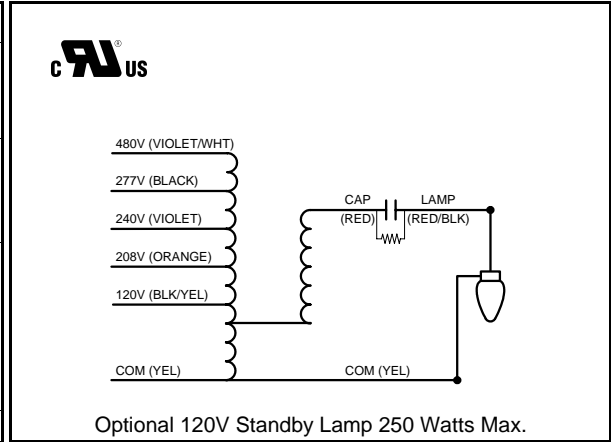
400W M59

Metal Halide

60Hz CWA

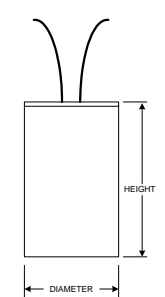
Specification Sheet

Input Volts	120	208	240	277	480
Regulation					
Line Volts	±10%	±10%	±10%	±10%	±10%
Lamp Watts	±10%	±10%	±10%	±10%	±10%
Power Factor (min)	90%	90%	90%	90%	90%
Input Watts	458 W	458 W	458 W	458 W	458 W
NOM. Open Circuit Voltage	300 V	300 V	300 V	300 V	300 V
Line Current (Amps)					
Operating	4.00	2.30	2.00	1.70	1.00
Open Circuit	3.60	2.10	1.80	1.60	0.90
Starting	2.60	1.50	1.30	1.10	0.65
Recommended Fuse (Amps)	12	7	6	5	3
Lamp Dropout Voltage (Line)	50 V	85 V	100 V	115 V	200 V
UL Temperature Ratings					
Insulation Class	H (180°C)	H (180°C)	H (180°C)	H (180°C)	H (180°C)
Temperature Code	E	E	E	E	E
MIN. Starting Temperature	-22°F -30°C	-22°F -30°C	-22°F -30°C	-22°F -30°C	-22°F -30°C
CAPACITOR Specifications					
Microfarads	24 uf	24 uf	24 uf	24 uf	24 uf
Volts (min.)	360 V	360 V	360 V	360 V	360 V
60Hz Test Procedures					
High Potential Test 1 Minute	2000 V	2000 V	2000 V	2000 V	2000 V
High Potential Test 1 Second	2500 V	2500 V	2500 V	2500 V	2500 V
Secondary Open Ckt Voltage (V)	270 - 330	270 - 330	270 - 330	270 - 330	270 - 330
Secondary Current Shorted (A)	3.40 - 4.20	3.40 - 4.20	3.40 - 4.20	3.40 - 4.20	3.40 - 4.20
Input Operating Current (A)	3.60 - 4.40	2.05 - 2.55	1.80 - 2.20	1.50 - 1.90	0.85 - 1.10
Input Open Circuit Current (A)	1.80 - 5.35	1.05 - 3.10	0.90 - 2.70	0.75 - 2.35	0.45 - 1.35
Input Short Circuit Current (A)	1.80 - 3.05	1.05 - 1.85	0.85 - 1.50	0.80 - 1.40	0.45 - 0.75
Core and Coil Specifications					
Dimension A	2.00 in	2.00 in	2.00 in	2.00 in	2.00 in
Dimension B	3.86 in	3.86 in	3.86 in	3.86 in	3.86 in
Weight	11.0 lbs	11.0 lbs	11.0 lbs	11.0 lbs	11.0 lbs
Lead Lengths (inches)	12-14	12-14	12-14	12-14	12-14
Coil Material (Pri. / Sec.):	Cu / Al	Cu / Al	Cu / Al	Cu / Al	Cu / Al



Capacitor: R17058571 **Ignitor: None**

Max Case Temp: 100 °C
 Height: 3.82 in
 Width / Diameter: 1.85 in



This Ballast does not require a Ignitor

Oil Cap. - P/N 005-3160-MF Consult Catalog for Specs.

Document #:	010-9736-05
Date:	3/7/2011
Status:	Production
Replaces Catalog #:	1130-826S

Data is based upon tests performed by Universal Lighting Technologies in a controlled environment and is representative of relative performance. Actual performance may vary depending on operating conditions. Specifications are subject to change without notice.

Universal Lighting Technologies

51 Century Blvd. Suite 230 - Nashville, TN 37214

Phone 1-800-225-5278 Fax 1-800-206-0035

www.unvlt.com

7/14/2021