

# ESB848-46

## APPLICATION and PERFORMANCE SPECIFICATION

Electronic ballast for (6/5/4) T12HO lamps up to 8ft long or any combination thereof from 8-48 ft.  
 Electronic ballast for (6/5/4) T8HO lamps up to 6ft long or any combination thereof from 16-36 ft.  
 Electronic ballast for use with T12HO/T8HO lamps or any combination of lamps in circuit as long as total length per circuit does not exceed 7ft for T12HO/5ft for T8HO. Not to be used with less than 4 circuits.

- Line Voltage: 120 - 277 vac,  $\pm 10\%$ , 50/60Hz
- Parallel Lamp Operation
- Instant Start
- Active Power Factor Correction

\*60 Hz data

Lamp		Lamp Footage		Volts	Max Input Power (Watts)	Nominal Line Current (Amps)	Power Factor	THD	Crest Factor
Type	#	Min	Max						
T12HO	6,5,4	8	48	120	415	3.46	>.99	<10%	<1.7
T12HO	6,5,4	8	48	277	410	1.48	>.97	<10%	<1.7
T8HO	6,5,4	16	36	120	380	3.17	>.99	<10%	<1.7
T8HO	6,5,4	16	36	277	373	1.35	>.96	<10%	<1.7

Application and Performance Specification Information Subject to Change without Notification.

### Performance:

- Meets ANSI Standard C82.11-2011
- Meets ANSI Standard C62.41-2002
- Meets FCC Part 18 (Class A) for EMI and RFI non-consumer limits

### Safety:

- No PCB's
- cUL<sub>US</sub> Listed (Class P, Type HL, Type 2 Outdoor)
- cCSAus Listed

### Application:

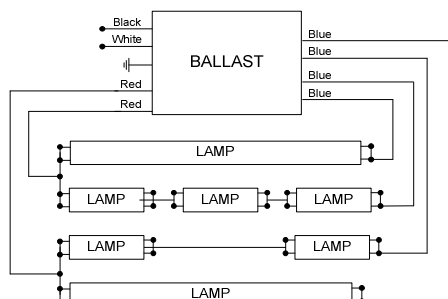
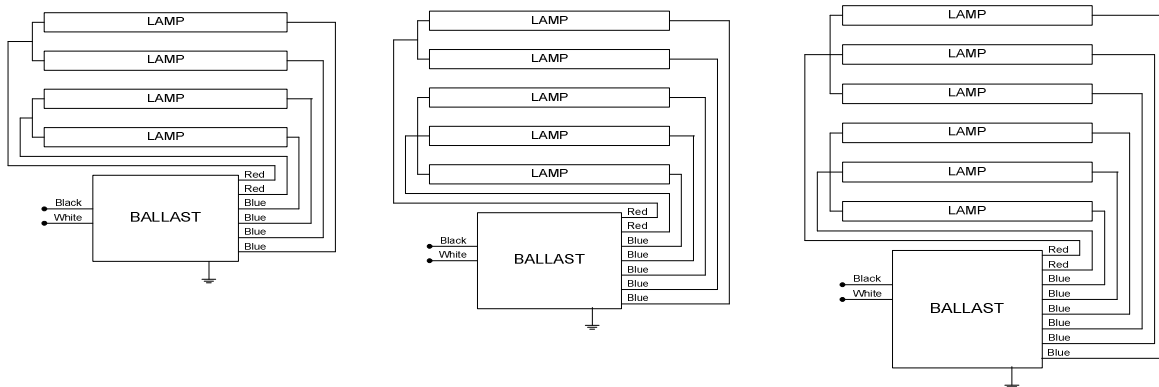
- Minimum Starting Temperature: -20° F, -29° C
- Energy Saving Lamps: 60° F, 16° C
- Maximum Case Temperature: 176° F, 80° C
- Sound Rated: A

### Physical Parameters:

- Length: 14.3"
- Width: 3.15"
- Height: 1.2"
- Weight: 3.75 lbs
- Carton Quantity: 1 piece
- Lead length: Black, White 24" ( $\pm 1"$ )  
Red, Blue 120" ( $\pm 1"$ )

### Warranty:

Universal Lighting Technologies warrants to the purchaser that each electronic ballast will be free from defects in material or workmanship for a period of 4 years from date of manufacture when properly installed and under normal conditions of use. Call **1-800-BALLASTx800** for technical assistance.



Multiple Lamp Application

For 4-lamp and 5-lamp applications individually cap blue leads.

Ballast case must be grounded.  
Manufactured in China.

