

B228PU115S50D

APPLICATION and PERFORMANCE SPECIFICATION

Description: Switch Dimming Electronic ballast for (2) F28T5 fluorescent lamps
Secondary Applications: (2) F35T5, (2) F21T5 or (2) F14T5 lamps

- Line Voltage: 120 - 277 vac, ±10%, 50/60Hz
- Series Lamp Operation
- Programmed Rapid Start
- Active Power Factor Correction

Lamp Type	No. of Lamps	Line Volts	Power Level	Input Watts	Nominal Line Amps	Ballast Factor	Ballast Efficacy Factor	Power Factor	Harmonic Total	Crest Factor
F28T5	2	120	100%	71	0.59	1.15	1.62	> 0.99	< 10%	< 1.7
F28T5	2	120	50%	34	0.28	0.45	1.32	> 0.99	< 10%	< 1.7
F28T5	2	277	100%	69	0.26	1.15	1.67	> 0.96	< 10%	< 1.7
F28T5	2	277	50%	34	0.13	0.45	1.32	> 0.95	< 10%	< 1.7
F35T5	2	120	100%	86	0.71	1.15	1.34	> 0.99	< 10%	< 1.7
F35T5	2	120	50%	43	0.35	0.45	1.05	> 0.99	< 10%	< 1.7
F35T5	2	277	100%	84	0.31	1.15	1.37	> 0.96	< 10%	< 1.7
F35T5	2	277	50%	42	0.16	0.45	1.07	> 0.96	< 10%	< 1.7
F21T5	2	120	100%	53	0.43	1.15	2.17	> 0.99	< 10%	< 1.7
F21T5	2	120	50%	26	0.21	0.45	1.73	> 0.99	< 10%	< 1.7
F21T5	2	277	100%	53	0.21	1.15	2.17	> 0.95	< 10%	< 1.7
F21T5	2	277	50%	26	0.11	0.45	1.73	> 0.94	< 10%	< 1.7
F14T5	2	120	100%	38	0.31	1.15	3.03	> 0.99	< 10%	< 1.7
F14T5	2	120	50%	19	0.15	0.45	2.37	> 0.99	< 10%	< 1.7
F14T5	2	277	100%	38	0.15	1.15	3.03	> 0.91	< 10%	< 1.7
F14T5	2	277	50%	19	0.08	0.45	2.37	> 0.90	< 15%	< 1.7

Application and Performance Specification Information Subject to Change without Notification.

Performance:

- Meets ANSI Standard C82.11
- Meets ANSI Standard C62.41
- Meets FCC Part 18 (Class A) for EMI and RFI Non-Consumer Limits
- Remove power before replacing lamps
- End of Lamp Life Shutdown Circuitry
- Dimming Range: Step dimming to 50% input power

Safety:

- No PCB's
- cUL_{us} (Class P, Type 1 Outdoor)
- Type CC

Application:

- Minimum Starting Temperature: 50 °F, 10 °C
- Maximum Case Temperature(tc): 167 °F, 75 °C
- Sound Rating: A
- Wire Trap, Plug-in Connectors are Standard
- Season new lamps by operating at full intensity for at least 100 hours before dimming
- Remote Mounting
 - Suitable for through-wiring in 8ft fixtures
 - Other remote and tandem wiring applications not recommended

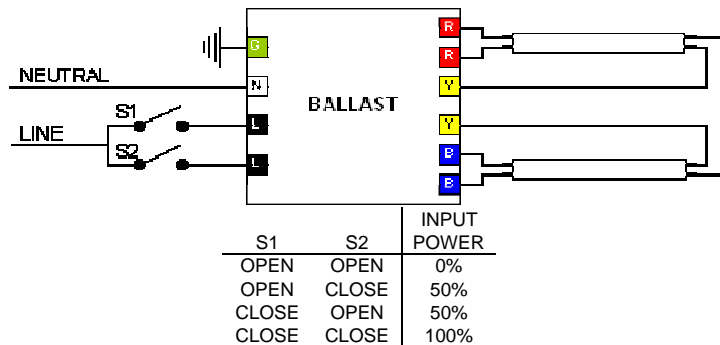
Physical Parameters

- Mounting Length: 16.28" +/- 0.01" (Center to Center)
- Overall Length: 16.88" +/- 0.01"
- Width: 1.18" + 0.03"/- 0.02"
- Height: 1.00" + 0.04"/- 0.01"
- Weight: 1 lb
- Carton Quantity: 10 pieces

Warranty:

Universal Lighting Technologies warrants to the purchaser that each electronic ballast will be free from defects in material or workmanship for a period of 5 years from date of manufacture when properly installed and under normal conditions of use. Call **1-800-BALLASTx800** for technical assistance.

Manufactured in North America



S1 & S2 must be wired on same phase.

Ballast must be grounded in accordance with national and local electrical codes.

Use of the ground terminal [G] is strongly recommended