

Phased Out



1110-247SC-TC

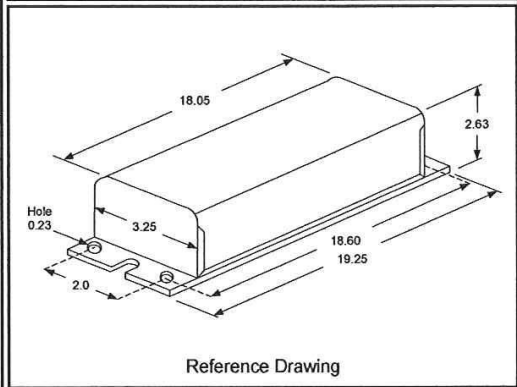
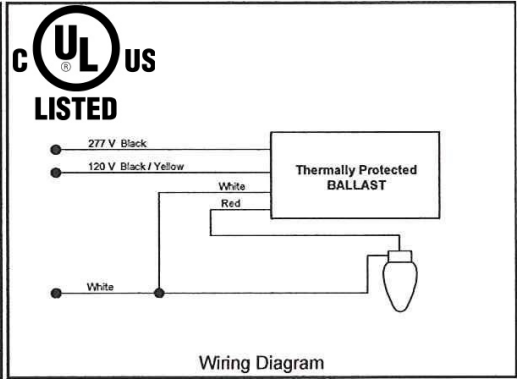
400W M59

Metal Halide

60Hz CWA

Specification Sheet

Input Volts	120	277		
Regulation				
Line Volts	±10%	±10%		
Lamp Watts	±10%	±10%		
Power Factor (min)	90%	90%		
Input Watts	463 W	463 W		
NOM. Open Circuit Voltage	300 V	300 V		
Line Current (Amps)				
Operating	3.90	1.70		
Open Circuit	4.00	1.75		
Starting	2.30	1.00		
Recommended Fuse (Amps)	10	5		
Lamp Dropout Voltage (Line)	65 V	150 V		
Ratings				
Insulation Class	A (105°C)	A (105°C)		
Sound Rating	C	C		
MIN. Starting Temperature	-22°F -30°C	-22°F -30°C		
CAPACITOR Specifications				
Microfarads	-	-		
Volts (min.)	-	-		
60Hz Test Procedures				
High Potential Test 1 Minute	2000 V	2000 V		
High Potential Test 1 Second	2500 V	2500 V		
Secondary Open Ckt Voltage (V)	270 - 330	270 - 330		
Secondary Current Shorted (A)	3.35 - 4.25	3.35 - 4.25		
Input Operating Current (A)	3.50 - 4.30	1.50 - 1.90		
Input Open Circuit Current (A)	2.00 - 5.70	0.85 - 2.50		
Input Short Circuit Current (A)	1.65 - 2.80	0.65 - 1.15		
Physical Characteristics				
Weight	22.0 lbs	22.0 lbs		
Lead Lengths (inches)	12-14	12-14		
Coil Material (Pri. / Sec.):	Cu / Cu	Cu / Cu		



Capacitor: Internal Ignitor: None

Insulate unused input leads with proper electrical insulation

Anchor bracket / tab provided for splice box SB-4 (not included)

Document #:	010-12798-00
Date:	6/17/2008
Status:	Production
Replaces Catalog #:	New Design

Data is based upon tests performed by universaldouglas in a controlled environment and is representative of relative performance. Actual performance may vary depending on operating conditions. Specifications are subject to change without notice.

Universal Lighting Technologies

51 Century Blvd. Suite 230 - Nashville, TN 37214
 Phone 1-800-225-5278 Fax 1-800-206-0035

www.unvlt.com

1/26/2022